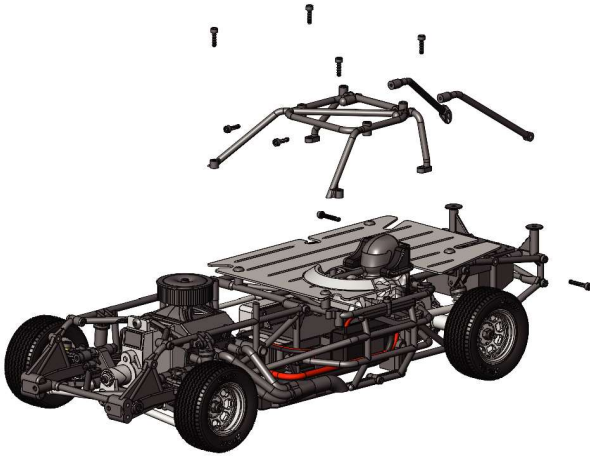


1RC1026 - 1/18 Dirt Street Stock Conversion Kit - Instruction Sheet

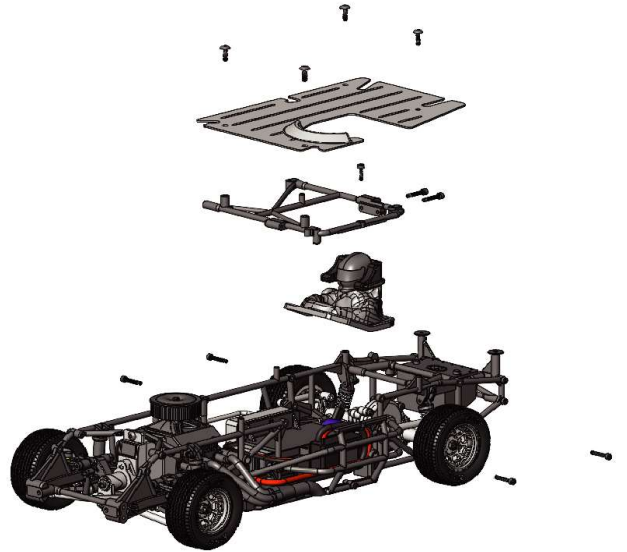
Step 1

Start by removing the Modified Body and Front Bumper off the base car you will be using and set those parts aside. Next remove all the items shown below. Set all the hardware aside, you will use some of that hardware later in the assembly process. The parts you will not need any longer are the Modified Body, Metal Front Bumper and screws, and the two Rear Cage Downbars from the Center Cage assembly.



Step 2

Next remove the Body Inner Panel, Driver Figure and Top Center Cage Mount. Set all the hardware aside, you will use some of that hardware later in the assembly process. The parts you will not need any longer are the Body Inner Panel, Top Center Cage Mount and 4x M2 x 6mm Truss Head Screws.

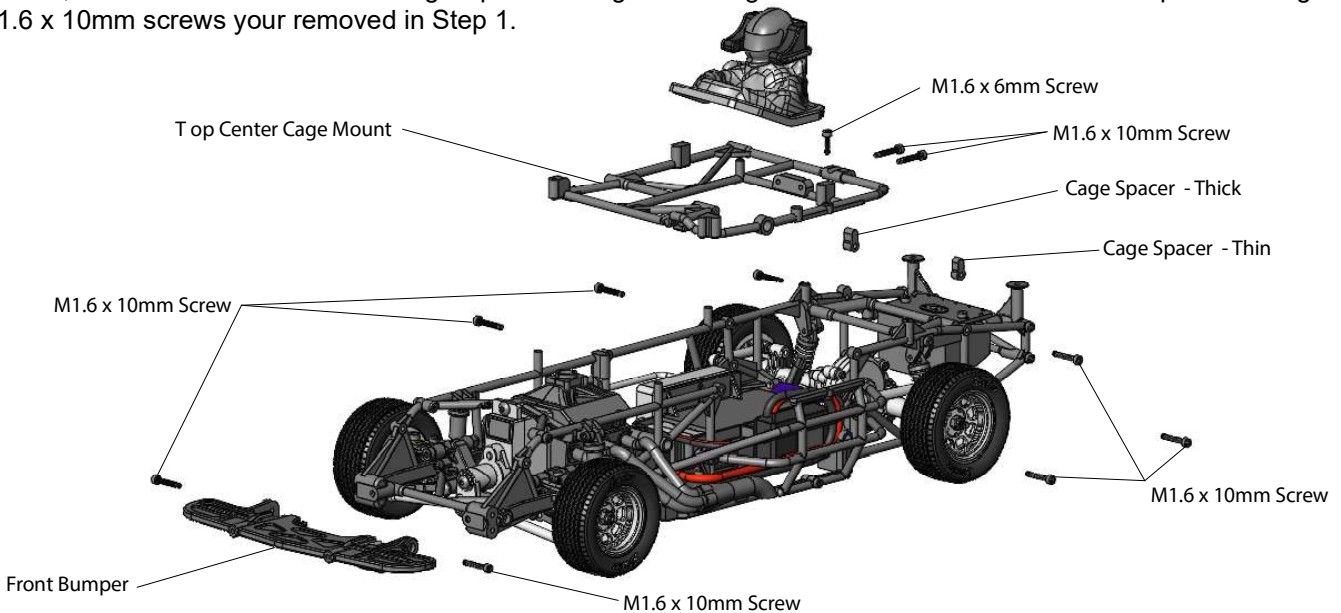


Step 3

Next, using the new Top Center Cage Mount that came with this conversion kit, attached the Driver Figure to the Top Center Cage Mount using the two M1.6 x 10mm screws you removed from Step 2. Now install that assembly into the Chassis and secure using four of the M1.6 x 10mm screws you removed from Step 2 and one M1.6 x 6mm screw on the left side that will secure the Center Cage Mount to the Left Side Chassis.

Next install the Front Bumper as shown and use the two M1.6 x 10mm screws that came with the conversion kit to secure the Front Bumper to the chassis.

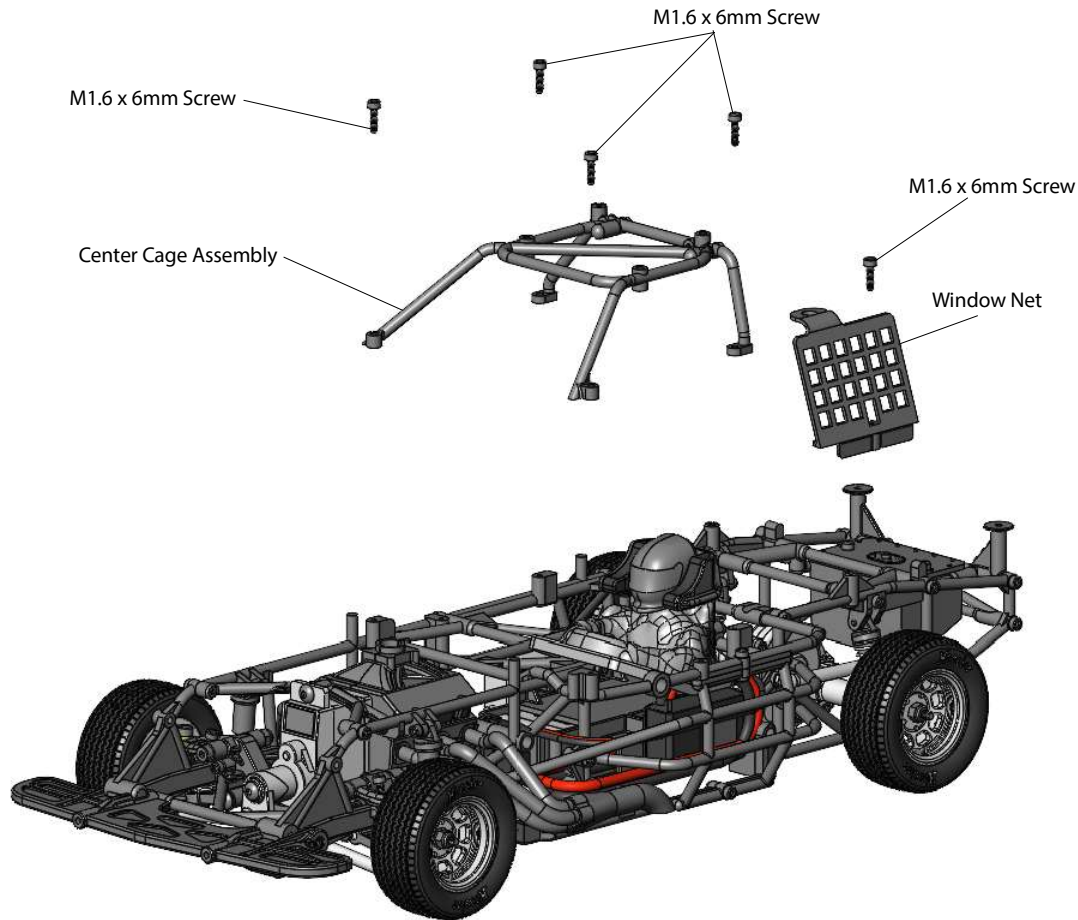
Next, install the two Cage Spacers where the Rear Cage Downbars you removed from Step 1 were located into the rear part of the chassis, note the thicker of the two Cage Spacers will go on the right side of the car. Secure those Spacers using two of the M1.6 x 10mm screws you removed in Step 1.



Step 4

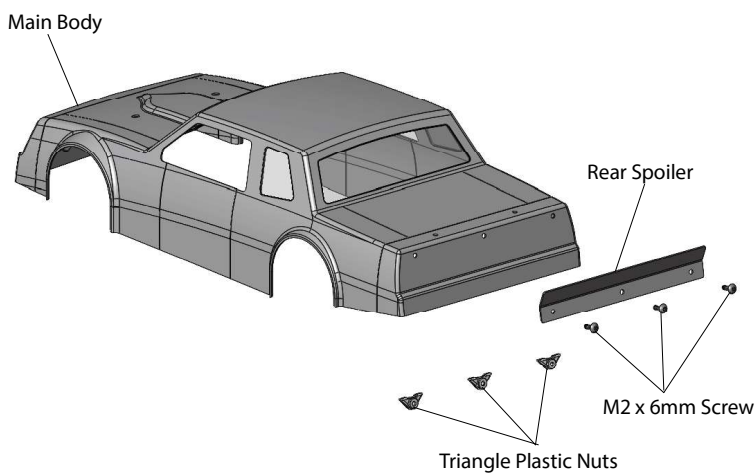
Next, reinstall the Center Cage Assembly to the new Top Center Cage Mount and secure using four of the M1.6 x 6mm screws you removed from Step 1.

Next, install and secure the Window Net that came with the Conversion Kit as shown using one of the M1.6 x 6mm screws that came with the Ceonverion Kit to secure the bottom of the Window Net to the Top Center Cage Mount.



Step 5

Now install the Rear Spoiler to the Main Body using three of the M2 x 6mm screws and three of the Triangle Plastic Nuts as shown below.



Step 6

Next install the Main Body Assembly from Step 5 to the Chassis using four of the M2 x 6mm screws and one M1.6 x 10mm screw as shown below. **DO NOT OVER-TIGHTEN FRONT BODY MOUNT SCREWS. ONLY TIGHTEN UNTIL SCREWS TOUCH BODY.**

